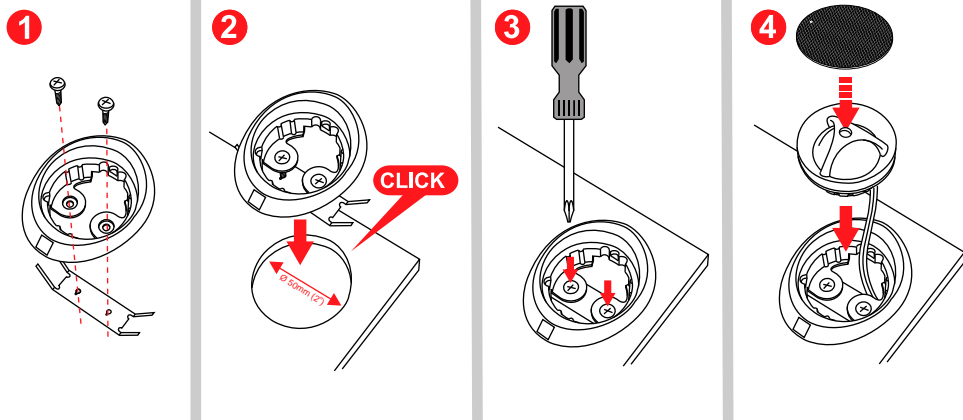
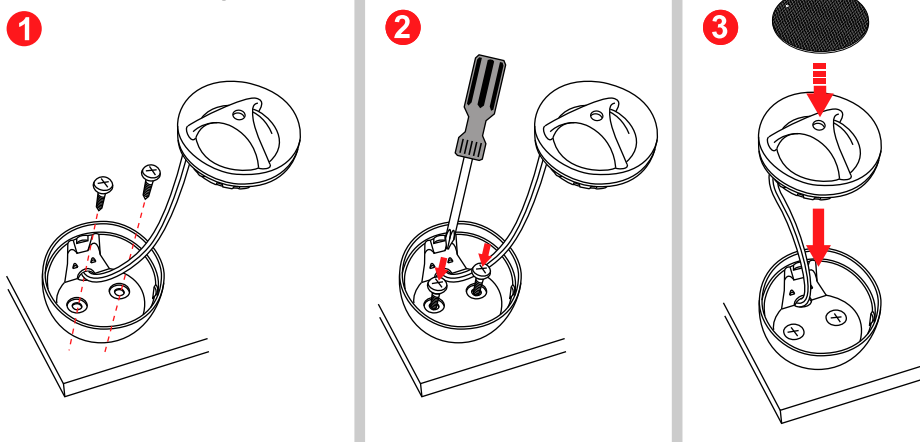


Flush mounting for 50 mm (1.96") cutout



Surface mounting option 2



2-Way System		Tempo 5	Tempo 6
Nominal Impedance		4 ohm	4 ohm
Power Handling		110W	120W
Max. Transient Power Handling		270W	280W
Sensitivity (2.83V/1M)		89dB	90dB
Frequency Response		46-22000Hz	40-22000Hz
Crossover Point		3800Hz 6dB/octave	3800Hz 6dB/octave
Voice Coil Diameter	Woofer: Tweeter:	25mm (1.00") 28mm (1.10")	25mm (1.00") 28mm (1.10")
Voice Coil Wire	Woofer: Tweeter:	Copper Copper	Copper Copper
Magnet System	Woofer: Tweeter:	T-type high-grade ferrite Neodymium	T-type high-grade ferrite Neodymium
Mounting Depth	Woofer: Tweeter:	59mm (2.32") 20mm (0.80")	62mm (2.44") 20mm (0.80")

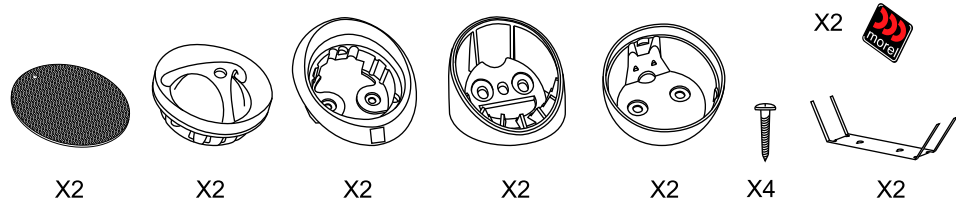
TEMPO 2 WAY 5/6

Component System Installation Guide

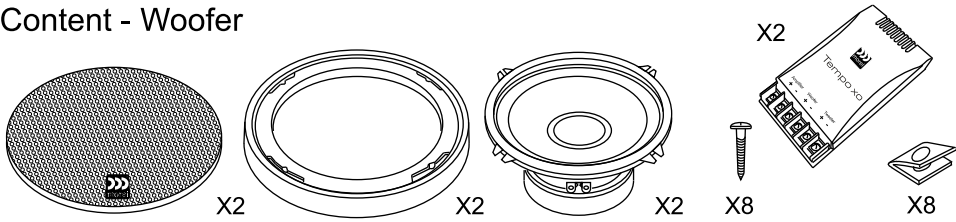


www.morelhifi.com

Content - Tweeter



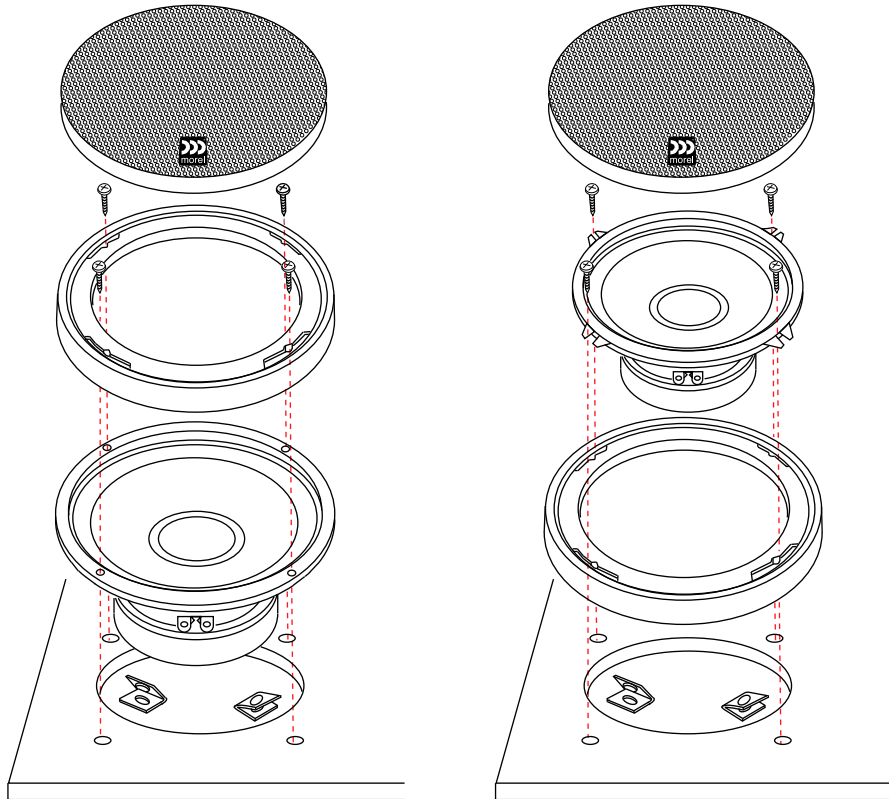
Content - Woofer



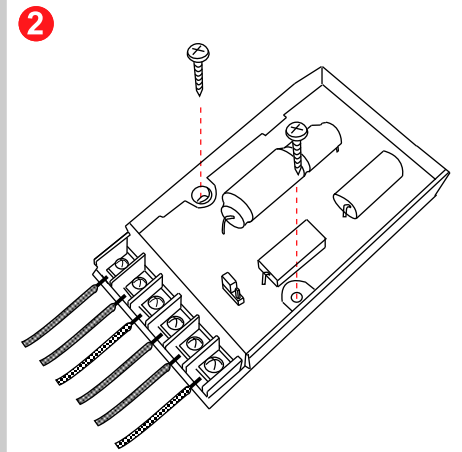
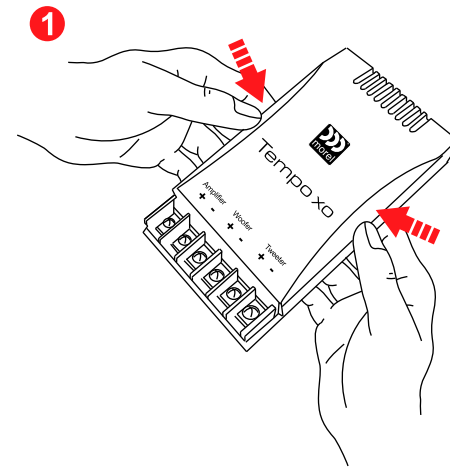
6 1/2

Woofer mounting

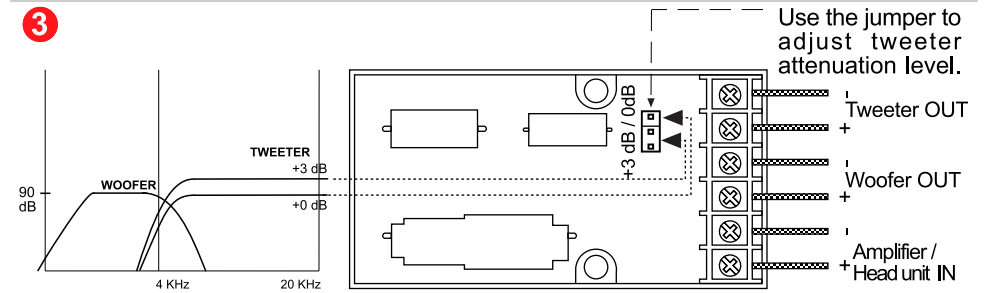
5 1/4



Crossover Connection



3



Surface mounting

